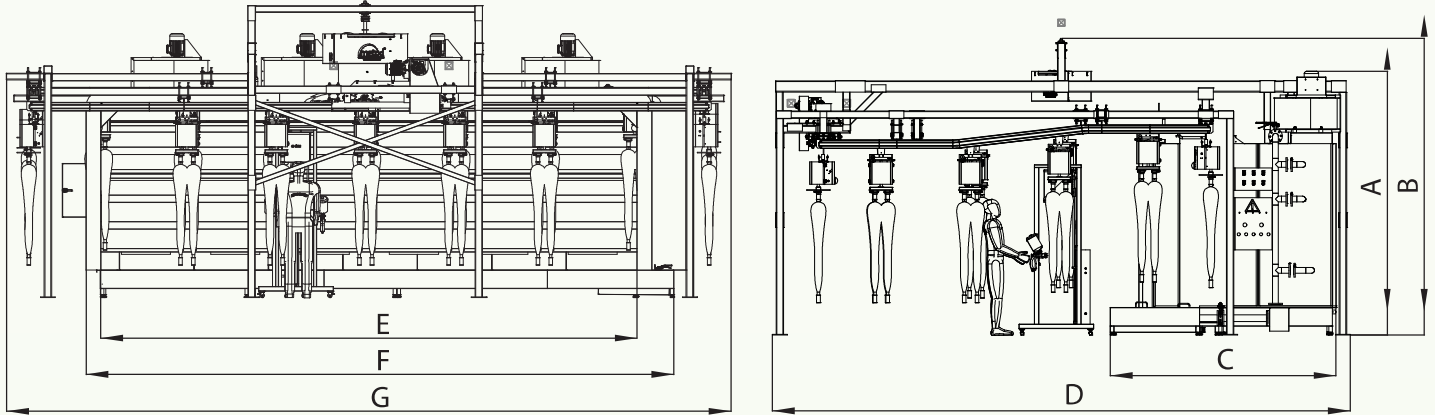




## Spray and Chemical Application Cabinets With Conveyor Konveyörlü Sprey ve Kimyasal Uygulama Kabinleri

29



TYPE OF CABINET	A	B	C	D	E	F	G	TOTAL LAYOUT
WSCN-C16R	3700	4100	3000	4850	4800	5500	8000	8000 x 4850 x 4100
WSCN-C24R	3700	4100	3000	7250	7200	7900	10500	10500 x 7250 x 4100
WSCN-C16R-DC	3700	4100	3000	4850	4800	5500	9000	9000 x 4850 x 4100
WSCN-C24R-DC	3700	4100	3000	7250	7200	7900	11500	11500 x 7250 x 4100

SPECIFICATIONS	WSCN-C16R	WSCN-C24R	WSCN-C16R-DC	WSCN-C24R-DC
MODEL	WSCN-C16R	WSCN-C24R	WSCN-C16R-DC	WSCN-C24R-DC
No. Of Manikin	16	24	16	24
Drying Chamber	No	No	Yes	Yes
Suction Fan Motor of Drying Chamber	No	No	1 x 1,5 kw (1 x 5.000m <sup>3</sup> /h)	1 x 1,5 kw (1 x 5.000m <sup>3</sup> /h)
Blower Fan Motor of Drying Chamber	No	No	1 x 2,2 kw (1 x 7.500m <sup>3</sup> /h)	1 x 2,2 kw (1 x 7.500m <sup>3</sup> /h)
Material	AISI 316 & 304 / 1 - 1,5 - 2,5 mm	AISI 316 & 304 / 1 - 1,5 - 2,5 mm	AISI 316 & 304 / 1 - 1,5 - 2,5 mm	AISI 316 & 304 / 1 - 1,5 - 2,5 mm
Manikin	Full Automatic Air Filling & Discharging	Full Automatic Air Filling & Discharging	Full Automatic Air Filling & Discharging	Full Automatic Air Filling & Discharging
Total Fan / Flow	2 x 3kw (2 x 10.000m <sup>3</sup> /h)	4 x 3kw (4 x 10.000m <sup>3</sup> /h)	2 x 3kw (2 x 10.000m <sup>3</sup> /h)	4 x 3kw (4 x 10.000m <sup>3</sup> /h)
Compressed Air	6 Bar	6 Bar	6 Bar	6 Bar
Circulation Pump	304/316 SS 3 kw	304/316 SS 5,5 kw	304/316 SS 3 kw	304/316 SS 5,5 kw
Water Pool Volume	Around 3100 lt.	Around 5400 lt.	Around 3100 lt.	Around 5400 lt.
Weight	4000 kg	5500 kg	4750 kg	6250 kg
Certificate	CE	CE	CE	CE

The above values are not stable and can be changed on Project basis. Yukarıdaki değerler sabit değildir ve Proje bazında değişebilir.

You can also watch the videos on: [www.metodmakina.com](http://www.metodmakina.com) or [www.youtube.com/metodmakina](http://www.youtube.com/metodmakina)