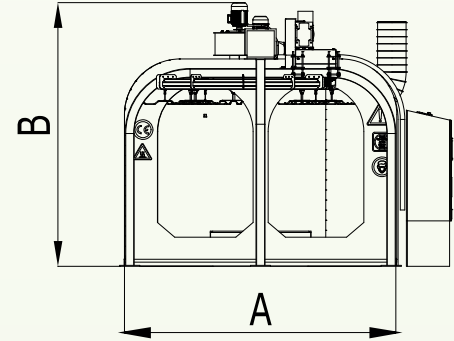


MODEL of OVEN	IDOC-UT8-ECO	IDOC-UT10-ECO	IDOC-UT12-ECO
Daily Capacity / 24 Hours			
Basic Jeans / local application (Based on 3 pcs - 20 min.)	8.640 pcs	10.800 pcs	12.960 pcs
Full Body Resin (Based on 3 pcs - 30 min.)	5.760 pcs	7.200 pcs	8.640 pcs
Hanger 1 / 3D (Based on 2 pcs - 20 min.)	5.760 pcs	7.200 pcs	8.640 pcs
Hanger 2 / 3D (Based on 1 pc - 20 min.)	2.880 pcs	3.600 pcs	4.320 pcs
Vacuum 3D or 3D Without Hanger (Based on 3 pcs - 20 min.)	8.640 pcs	10.800 pcs	12.960 pcs
Gate Entrance -mm	950	950	950
Electric Consumption	6 kw/h	7 kw/h	8 kw/h
Natural Gas	12 m ³ /h	14 m ³ /h	16 m ³ /h
LPG	8 - 9 kg/h	9 - 10 kg/h	11 - 12 kg/h
Diesel	10 - 12 lt./h	12 - 13 lt./h	15 - 16 lt./h
Voltage	380V, 50 Hz.	380V, 50 Hz.	380V, 50 Hz.
Heating Capacity	0 - 180 °C	0 - 180 °C	0 - 180 °C
Conveyor Length	28000 - 32000	30000 - 34000 mm	33000 - 37000 mm
Burner	Weishaupt	Weishaupt	Weishaupt
Burner Capacity	120.000 - 150.000 kcal	150.000 - 175.000 kcal	175.000 - 200.000 kcal
Type Of Conveyor	Cardanic Type	Cardanic Type	Cardanic Type
Heating Time to 150°C	30 - 35 min.	30 - 35 min.	30 - 35 min.
Measurement Of Temperature	7 Different Points	7 Different Points	7 Different Points
Electric Control System	By PLC Control and Touch Screen	By PLC Control and Touch Screen	By PLC Control and Touch Screen
Homogeneity	± 3°C	± 3°C	± 3°C



Additional Specifications

- ✓ Heat resisted glass and light at the top for illumination,
- ✓ User Manual and spare parts all available,
- ✓ Wider inner dimensions to make curing with 3D Hangers,
- ✓ Suitable entrance and exit (Gates) for Hanger 3D System,
- ✓ After installation, Computerized Temperature Measurement,
- ✓ For minimum gas consumption, special device is used to set the burning value (mixutre of carbon monoxide).

30 - 35 min.

TYPE OF OVEN	A	B	C	D	E	TOTAL LAYOUT
IDOC-UT8-ECO	2700	2600	5800	8000	10200	16600 x 3200 x 2650
IDOC-UT10-ECO	2700	2600	5800	10000	12200	18600 x 3200 x 2650
IDOC-UT12-ECO	2700	2600	5800	12000	14200	20600 x 3200 x 2650

GENARAL VIEWS

Results and capacity are same, big differences in energy consumption, around %40 - %50 energy saving.

The above values are not stable and can be changed on Project basis. Yukarıdaki değerler sabit değildir ve Proje bazında değişebilir.